

Intellian v240M

2.4m MultiBand (C/Ku) Automatic Polarization and Band Switching Marine VSAT Antenna System



Automatic frequency band switching

Featuring patented technology available only from Intellian, the v240M allows you to effortlessly and automatically switch between C-band and Ku-band satellites without any change of hardware above decks. The frequency band selection, can be controlled by the satellite modem, remotely by the operator, or conveniently at the ACU.

RF switch enabled modem mediator

The v240M can be supplied with a Modem Mediator as an option. This allows the user to install either one single satellite modem for both C and Ku-band, or two separate modems to support each frequency band. When operating in a network that offers intelligent beam switching, a single modem may be used. When the user requires the enhanced features of a more specialized modem, then the Modem Mediator manages this, removing the need to swap cables onboard!

Easy installation, setup and operation

With the v240M, installation and setup are easier than ever. Once a satellite's peak signal position is acquired during first-time setup, the unit will automatically re-adjust accordingly every time it boots (bow, home sensor offset, azimuth, and elevation position), saving you huge amounts of time and effort.

Future proof satellite networks

With the v240M, end-users and service providers enjoy greater flexibility of space segment selection, allowing them access to either greater data rates, lower cost space segment, better performance, or enhanced regulatory compliance now, and into the future.

Intellian

Connect with the best

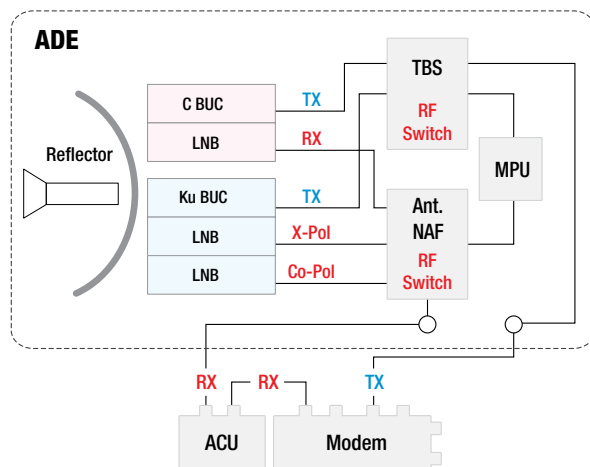
Intellian v240M

2.4m MultiBand (C/Ku) Automatic Polarization and band Switching Marine VSAT Antenna System

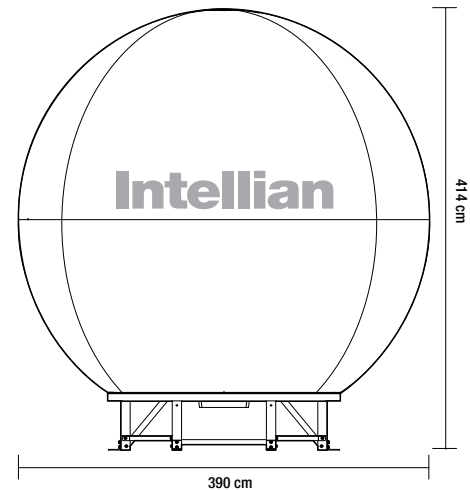
Technical Specifications

Physical	
Radome Height	414 cm / 162.9"
Radome Diameter	390cm / 153.5"
Reflector Diameter	240cm / 94.5"
Antenna Weight	880kg / 1940lbs
Stabilized Pedestal Assembly	
Platform	3-axis : Azimuth, Elevation, Cross-level
Azimuth Range	Unlimited
Elevation Range	-15° to +120°
Cross-level Range	±30°
Stabilized Accuracy	0.2° peak mis-pointing @ max ship motion condition
Motor Brake System	Elevation, Cross level
Reflector & Feed Assembly	
TX Frequency	C-band: 5.85GHz~6.425GHz Ku-band: 13.75GHz~14.5GHz
TX Gain	C-band: 41.9dBi @ mid band Ku-band: 49dBi @ mid band
RX Frequency	C-band: 3.625GHz~4.2GHz Ku-band: 10.7GHz~12.75GHz
RX Gain	C-band: 38.6dBi @ mid band Ku-band: 48dBi @ mid band
G/T	C-Band: 20.3 dB/K (Clear Sky, 30° Elevation) Ku-Band: 28.2 dB/K (Clear Sky, 30° Elevation)
BUC Power	C-Band 40~200W, Ku-Band 8~40W
Cross-pol isolation	30 dBc Typical
LNB	C-band LNB / Intellian PLL LNB
Polarization	C-Band: Circular or Circular & Linear Ku-Band: Linear (Cross Pol & Co Pol)

Single Modem



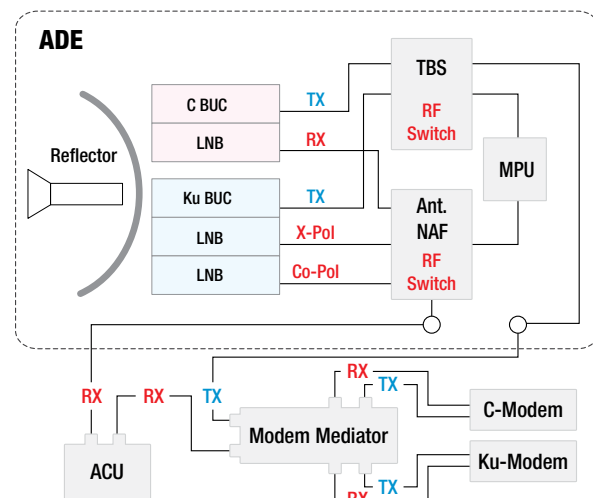
System Dimension



Key Features

- Modem Mediator (Optional) – no need to swap cables between modems while offering a wide range of configuration flexibility.
- Wi-Fi supported ACU provides convenient connection to the ACU for setup and system monitoring.
- TCP/IP supports a wide range of modem interface format (including Ethernet, console, RS232).

Dual Modem



Global HQ
Innovation Center / Factory
Intellian Technologies, Inc
T +82 31 379 1000
F +82 31 377 6185

APAC
Seoul Office
Intellian Technologies, Inc.
T +82 2 511 2244
F +82 2 511 2235

Americas
Irvine Office
Intellian Technologies USA, Inc.
T +1 949 727 4498
F +1 949 271 4183
Toll Free +1 888-201-9223

EMEA
Rotterdam Office
Intellian B.V.
T +31 1 0820 8655
F +31 1 0820 8656